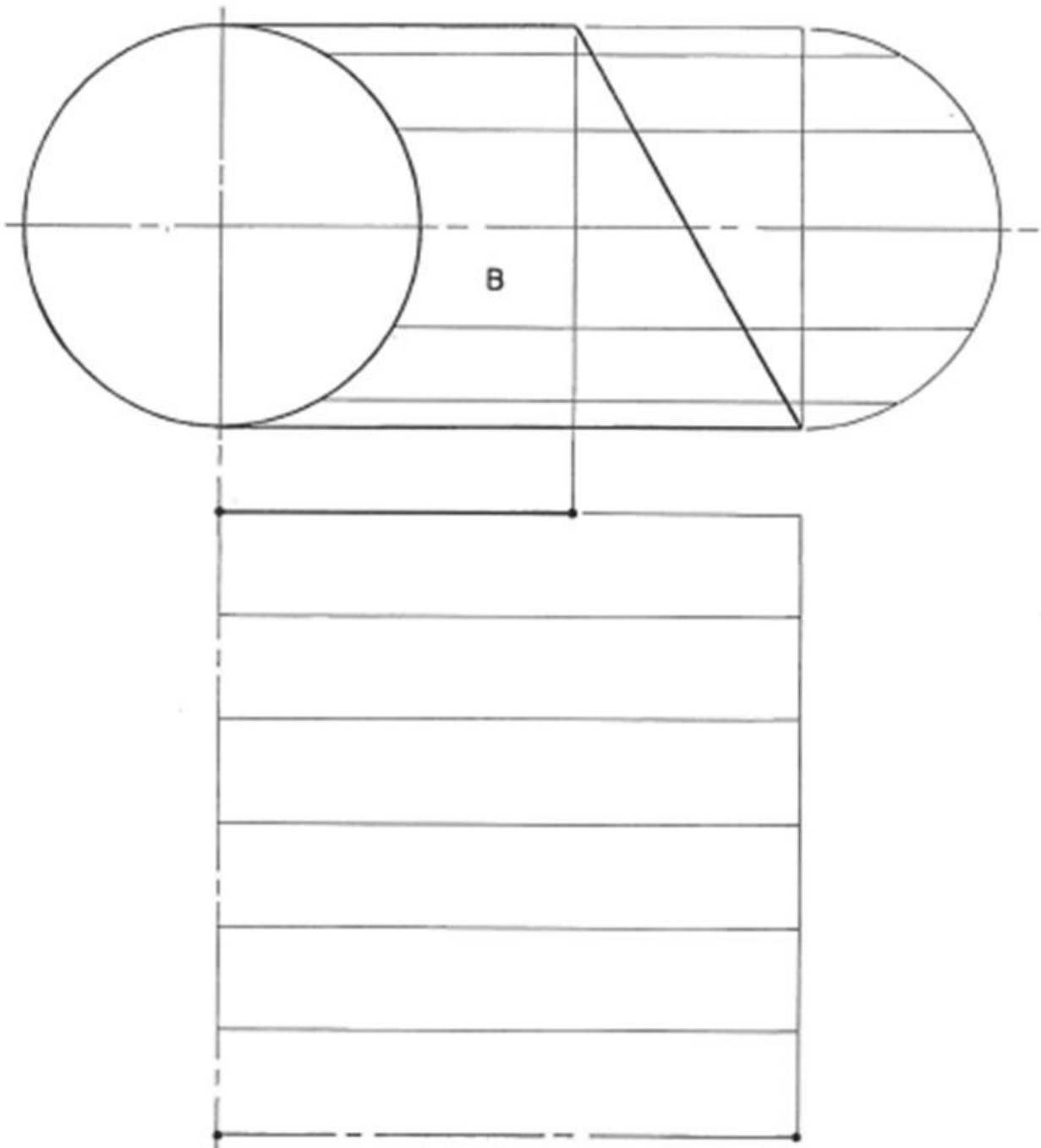


Using the Parallel Line method of development.

Task 1

A end view of an equal diameter tee piece is given below.

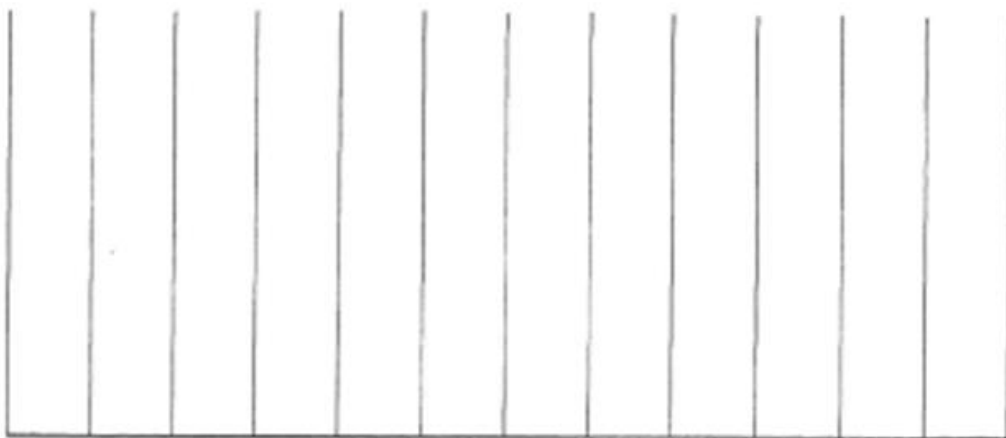
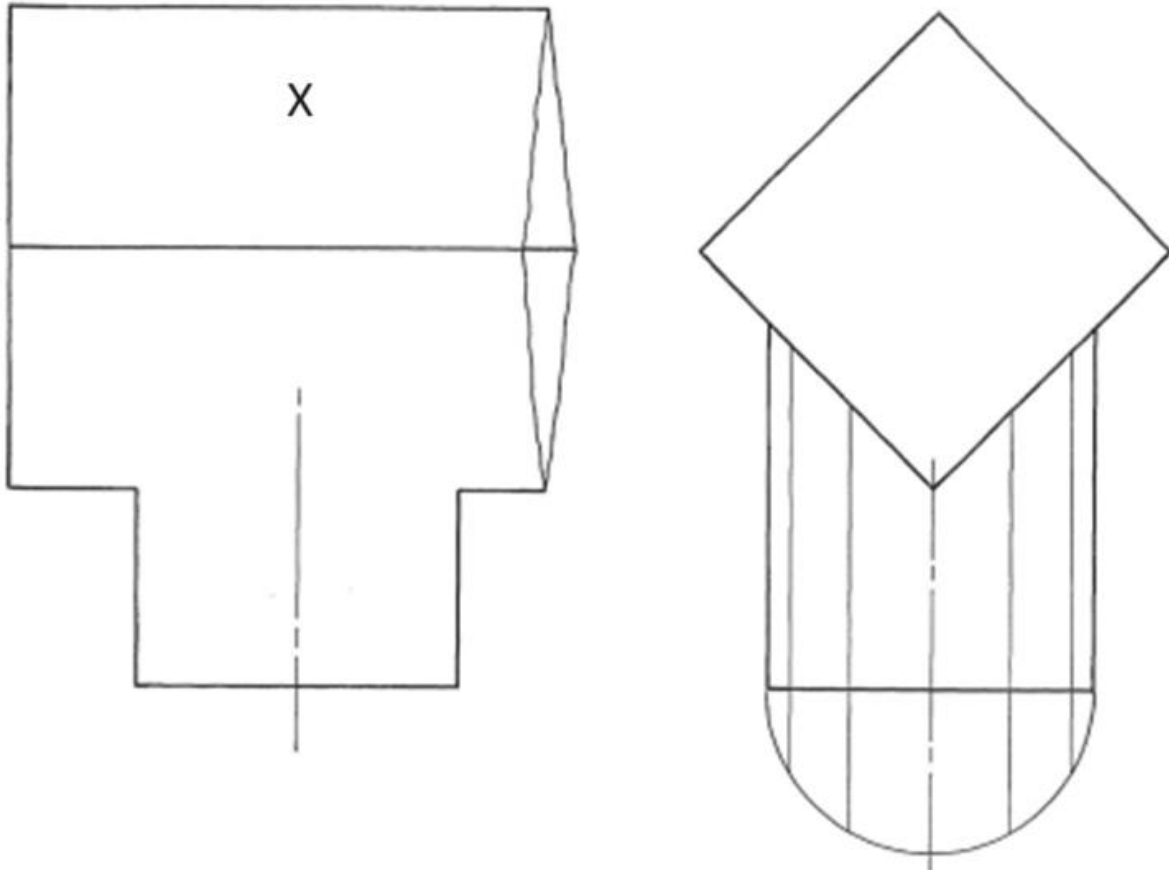
- i) Produce a half pattern for the branch pipe **B**.



Task 2

Two views are given below of a cylinder intersecting a square duct.

- i) Complete the line of intersection in view X
- ii) Using the set out, produce a full pattern for the branch pipe.

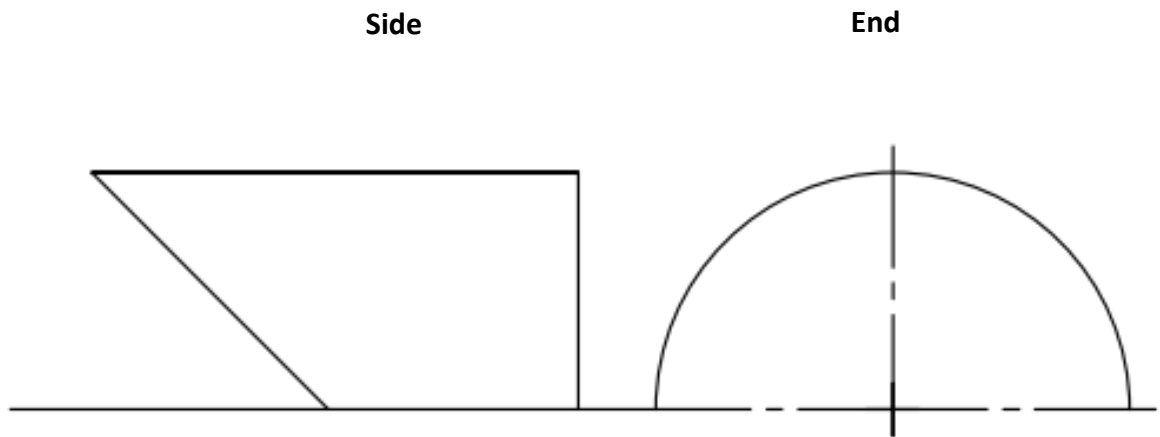


FULL PATTERN FOR BRANCH

Task 3

Two views are given below of a half cylinder cut at 45° .

- i) Complete the line of intersection in view **X**
- ii) Project a full pattern for the cut half cylinder.

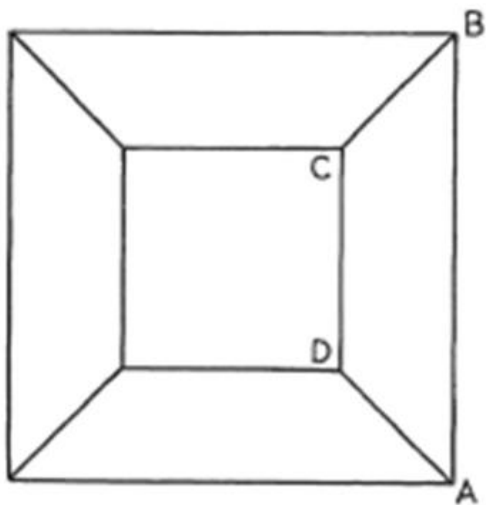
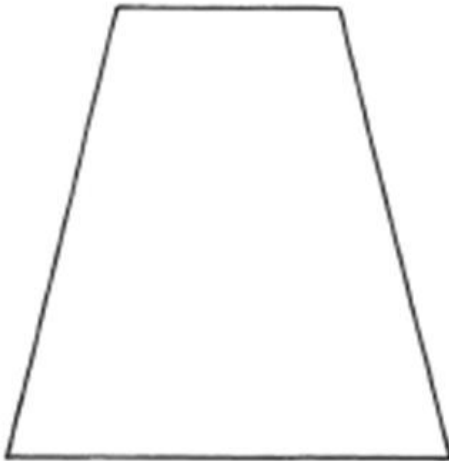


Using the Triangulation method of development.

Task 1

A square pyramid hopper is given below.

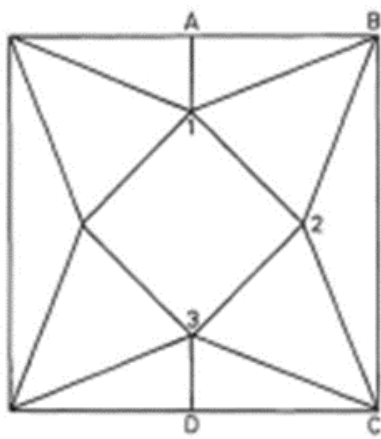
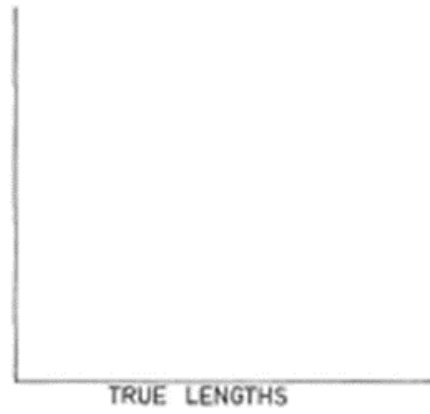
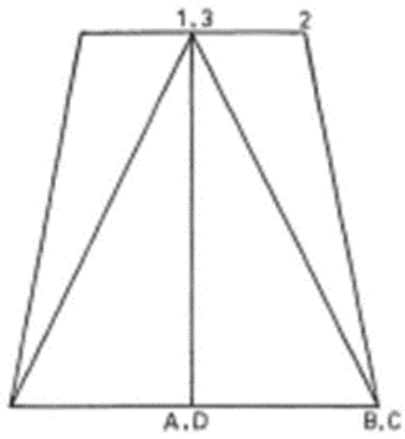
- i) Produce a pattern for the side **ABCD**



Task 2

A square to square transformer is given below.

- i) Produce a half pattern, placing the seams at **A1** and **D3**.



Task 3

Two views of a roof apex square to round transformer is given below.

- i) Complete the views by adding contour lines
- ii) Produce a half pattern, placing the seams at **A1** and **D7**.

